

NELSON™ HEAT TRACING SYSTEMS

LT-P SMALL PIPE ADAPTER KIT FOR USE WITH PLT OR LT CONNECTION KITS

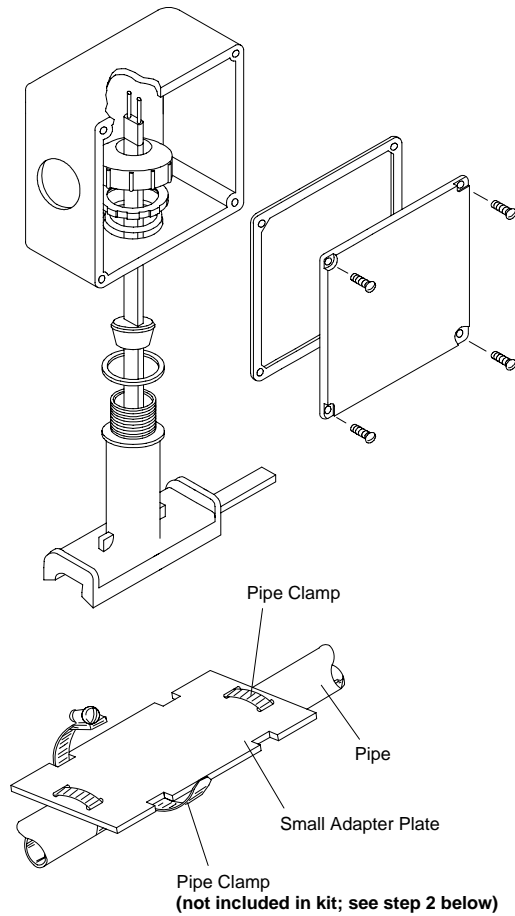
INSTALLATION INSTRUCTIONS

DESCRIPTION

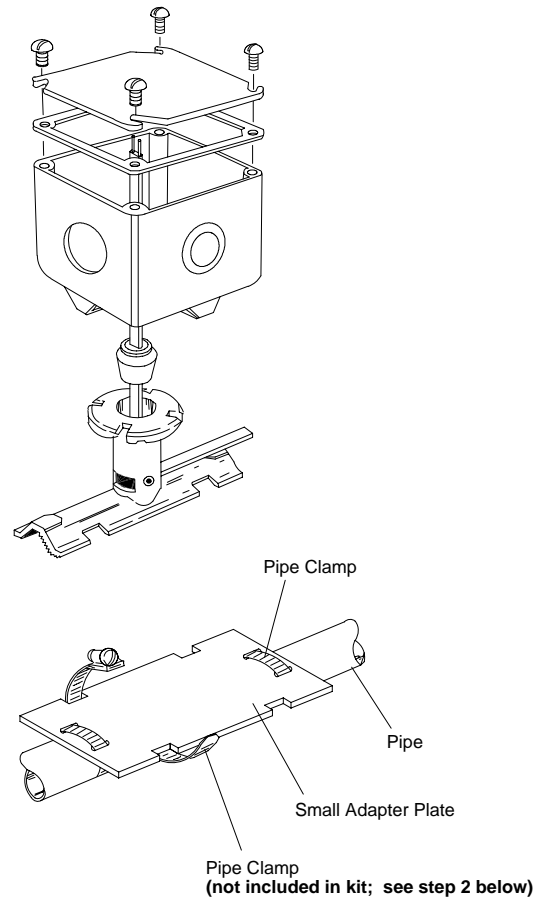
The LT-P Small Pipe Adapter Kit is for use with PLT or LT connection kits to mount to small diameter pipes or tubes. Covers a size range up to 19mm (.75") tubing and 13mm (.50") pipe.

KIT CONTENTS

- 1 Small Adapter Plate
- 2 Pipe Clamps



PLT



LT

1. Install the small adapter plate with pipe clamps included in kit.
2. Mount stand-off with pipe clamps supplied in the PLT or LT connection kits.

Nelson Heat Tracing Systems products are supplied with a limited warranty. Complete Terms and Conditions may be found on Nelson's website at www.nelsonheaters.com.